

6 5 4 3 2 1

D

C

B

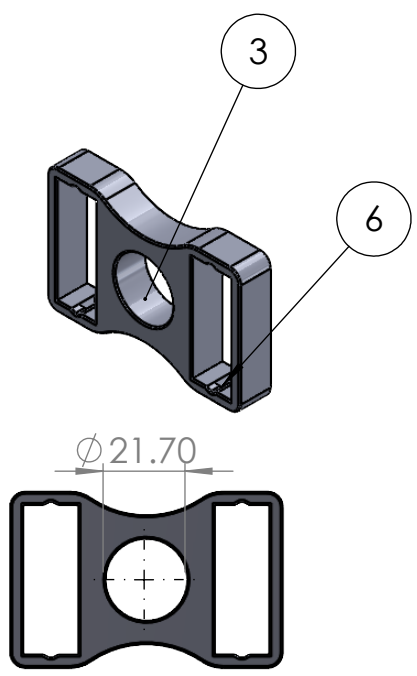
A

D

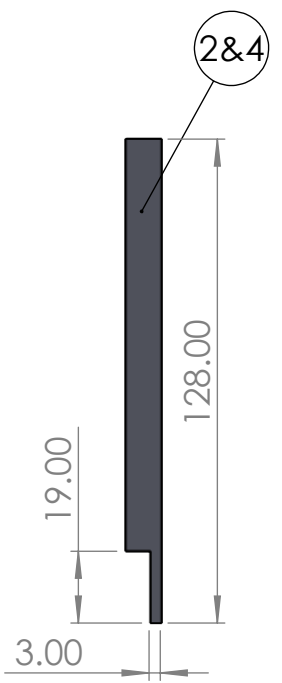
C

B

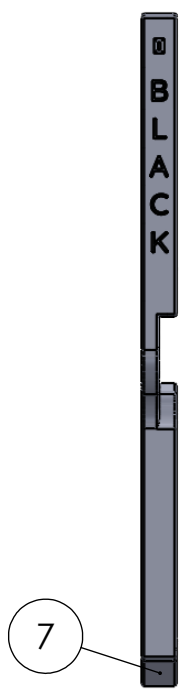
A



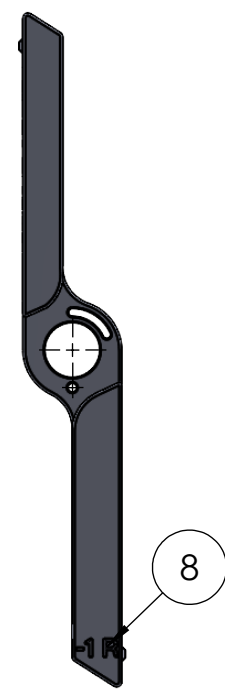
Stand Holder (QTY 2)



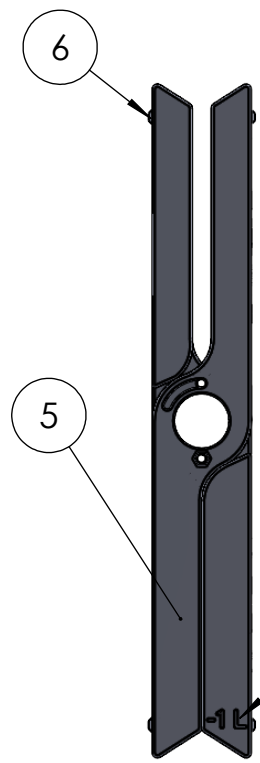
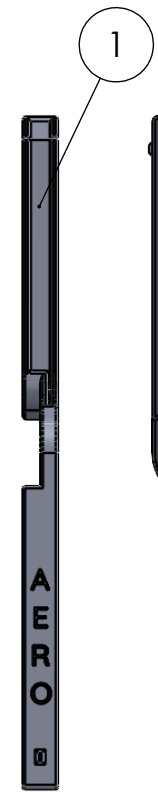
Foam (QTY 4)



Right Leg (QTY 2)



Left Leg (QTY 2)



Assembled Leg(s)

1. Prepare surface by sanding and cleaning with Isopropyl alcohol (IPA)
2. Do not stretch/pull on foam while applying to the leg.
3. Tube Size: 1/2 in. PVC (21.70 mm)
4. Foam Dimensions
5. Pair a Left & Right leg together to create a pair of legs.
6. The Stand Holder has positive retention with the legs.
7. Antislip Tape (12 mm X 16 mm)
8. Revision & Left/Right Designation

TITLE:		The Stand (Rocket Cradle)	
MATERIAL:	ABS	REV	-1
Units:	mm (millimeter)	SCALE: N/A	SHEET 1 OF 1
		A4	

6 5 4 3 2 1